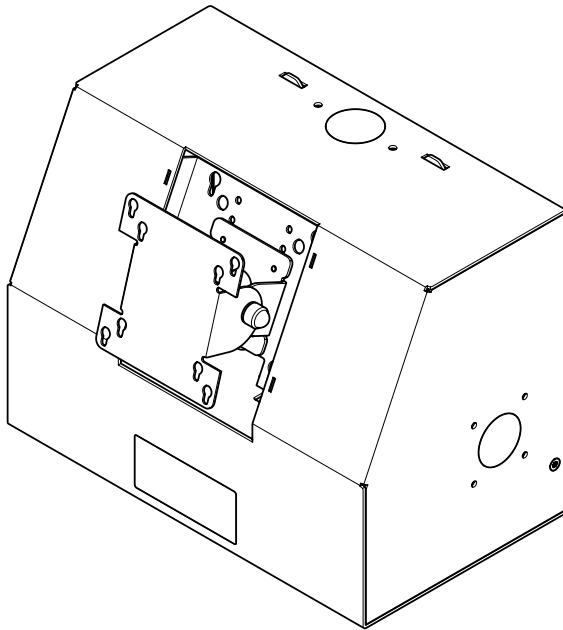


Installation Guide

SPSK100

SCO Kiosk Top module



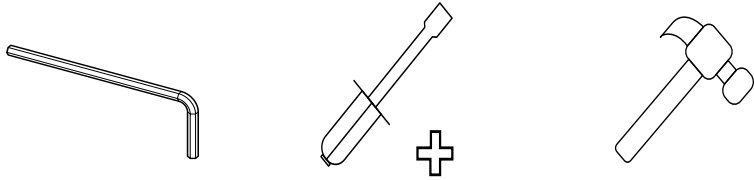
CAUTION

This product is intended for indoor use only.

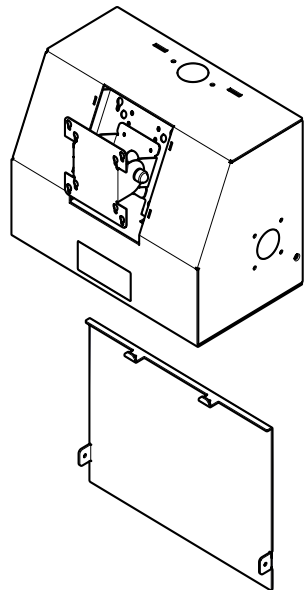
If these installation instructions are not followed correctly, it could lead to product failure and potential personal injury.

Ergonomic Solutions/SpacePole cannot be held responsible for any failure or injury, if the installation instructions are not followed correctly.

Tool list



Box content



x1 top module (A)

x4 M4x8

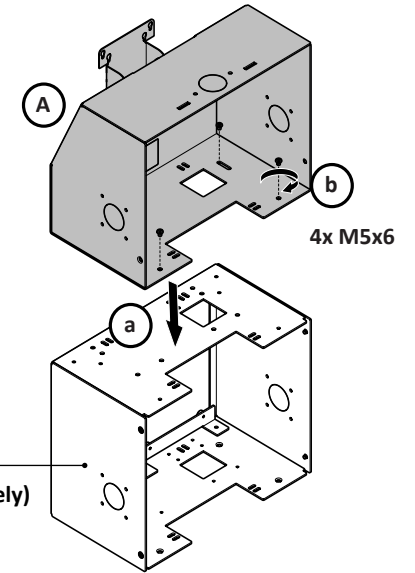
x4 M4x10

x2 M5x6 countersunk

x1 backplate (B)

x4 M5x6

1 Assemble top and middle module

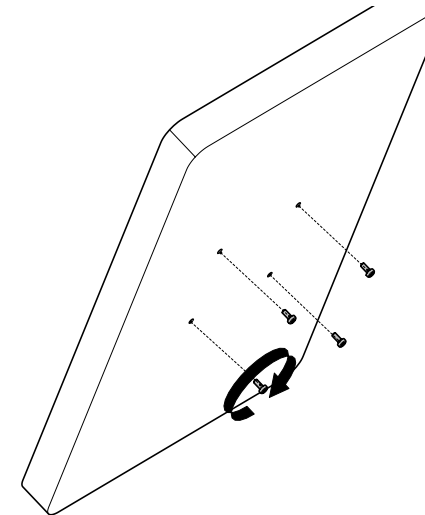


a Align top module on the center module.

b Secure it with the screws supplied.

SPSK200
(Supplied separately)

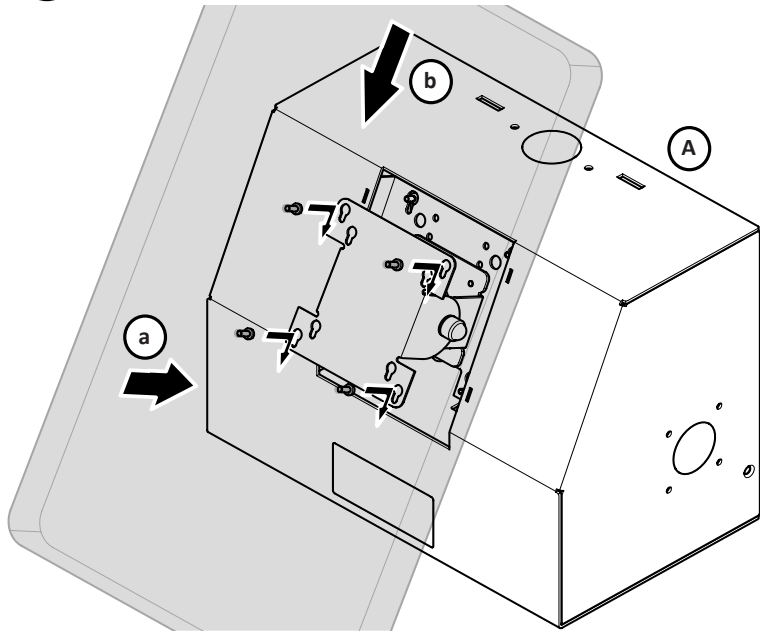
2 Prepare screen for installation



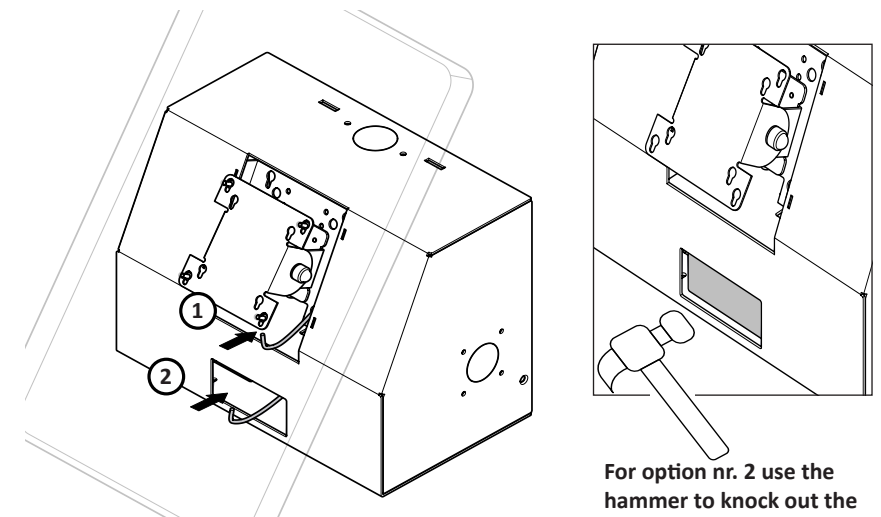
Approx. 3 mm

Loosely fasten the screws on the screen leaving approx. 3mm between the screen and the screw head.

3a Install screen



4 Cable management from screen in to Top module

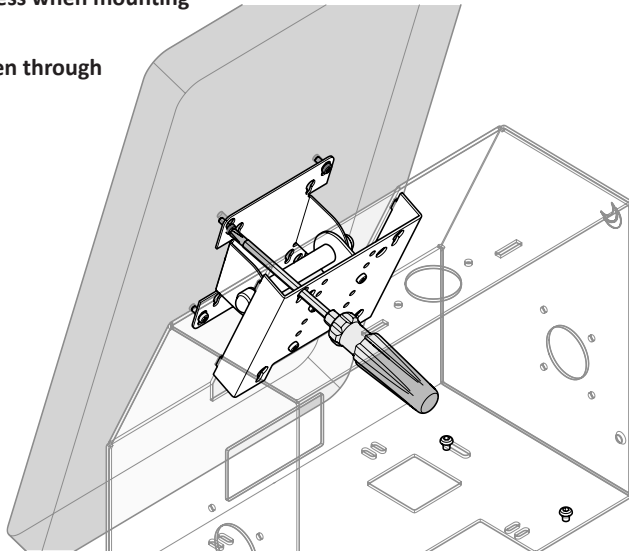


Two options for cable management.

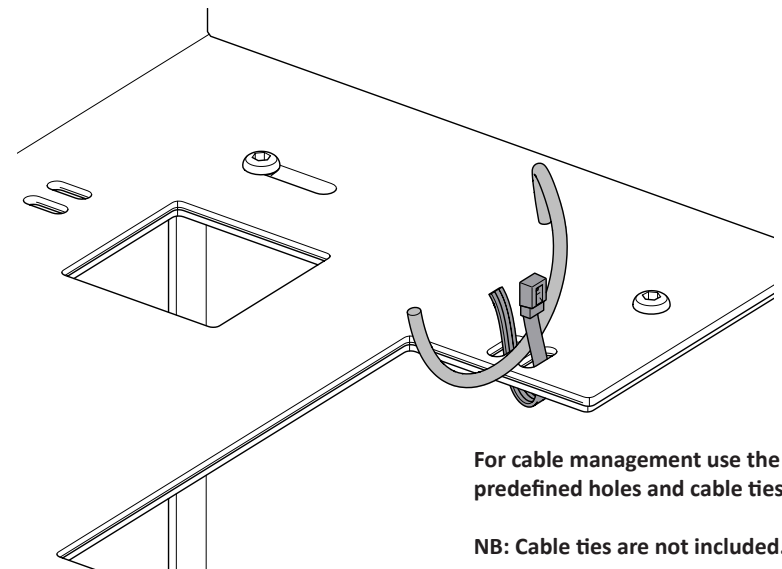
For option nr. 2 use the hammer to knock out the micro joint.

3b Install screen

- 1 Align keyholes on top module for easy access when mounting the screen.
- 2 Mount screen through the holes.



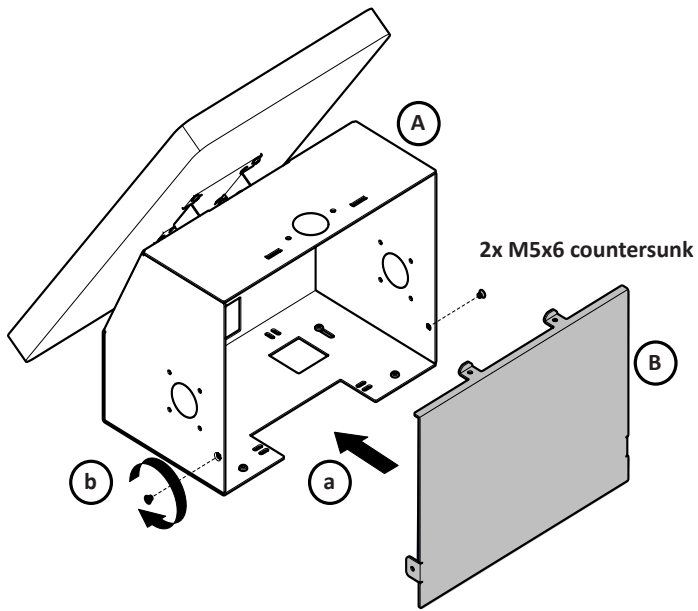
5 Internal cable management



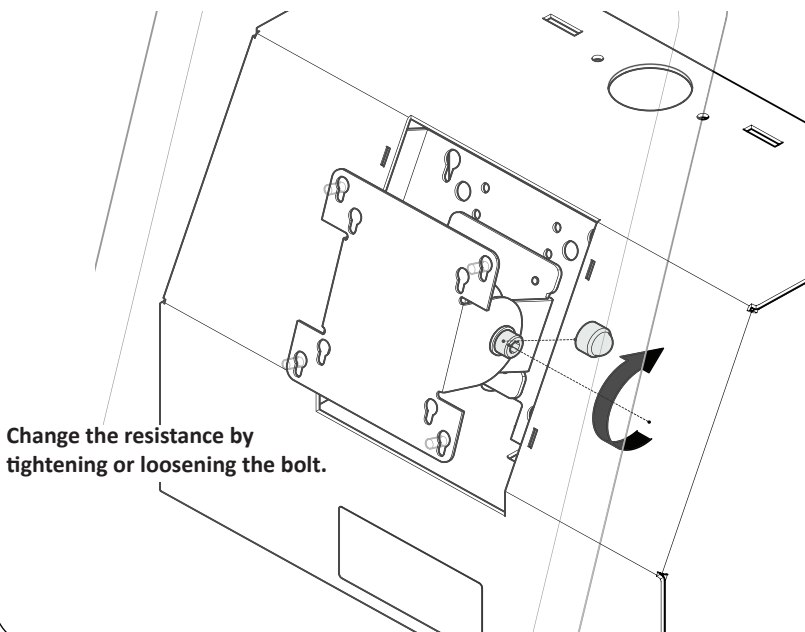
For cable management use the predefined holes and cable ties.

NB: Cable ties are not included.

6 Close top module



Tension adjustment



Change the resistance by tightening or loosening the bolt.